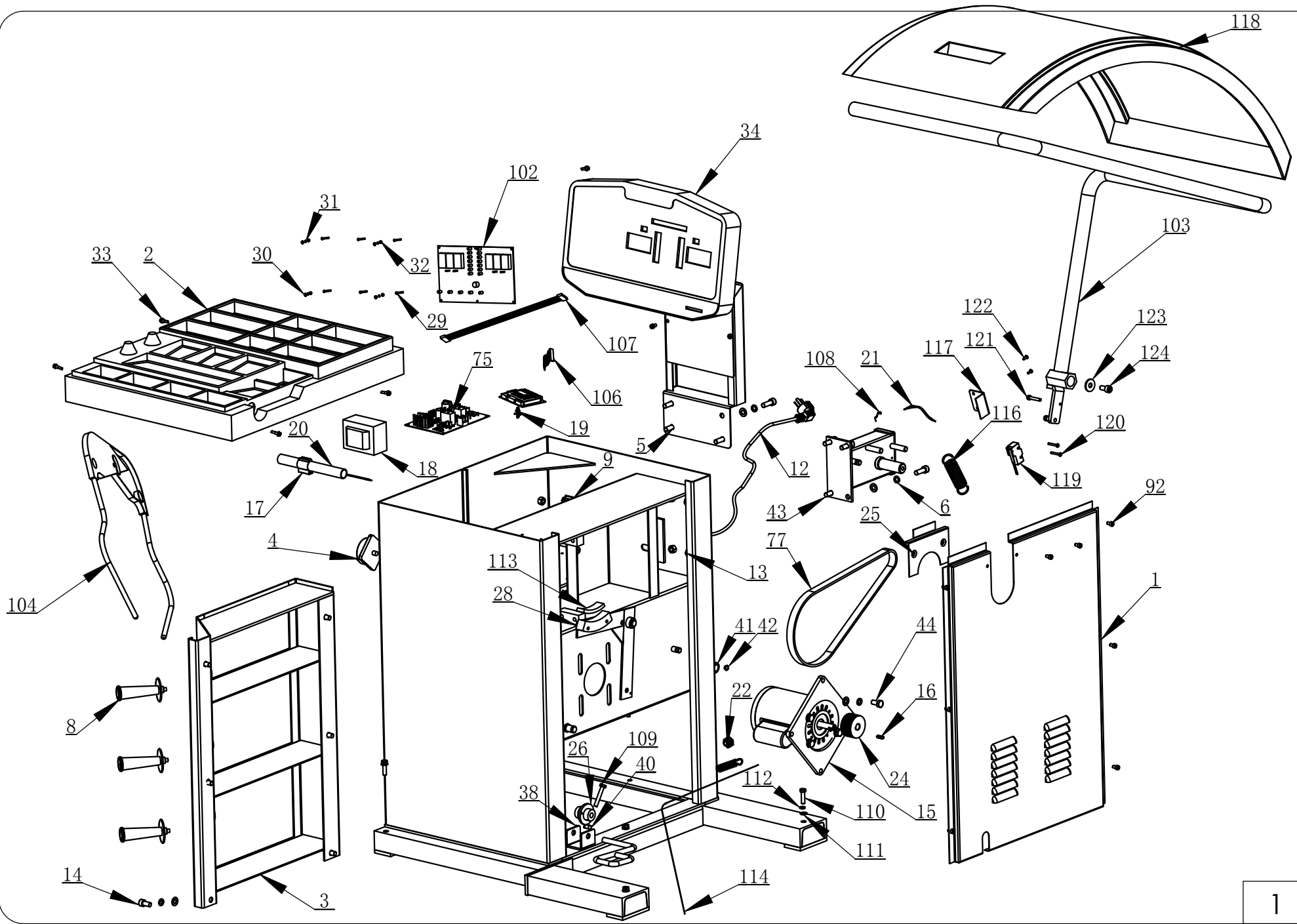
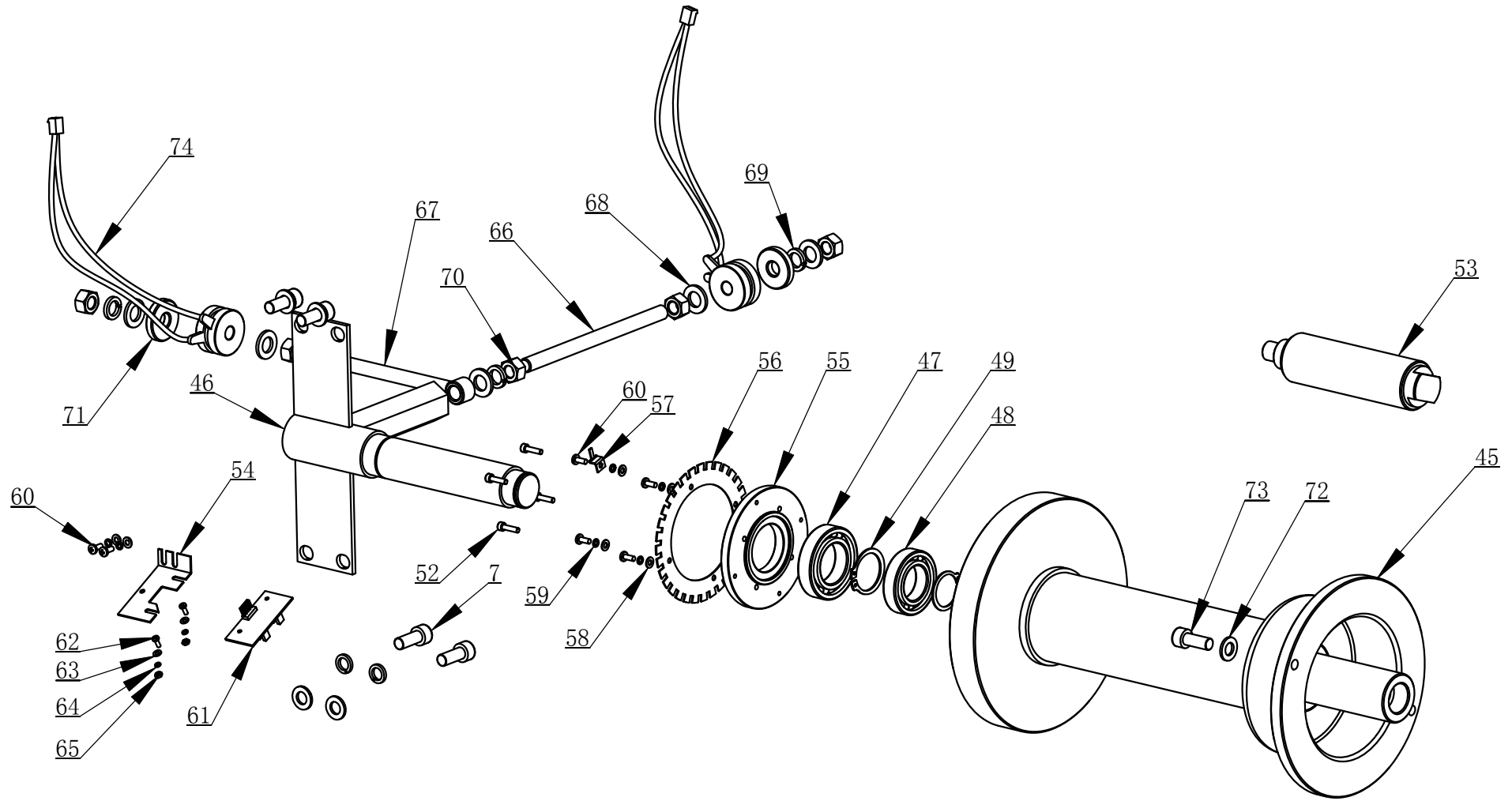

Wheel Balancer Exploded Drawing

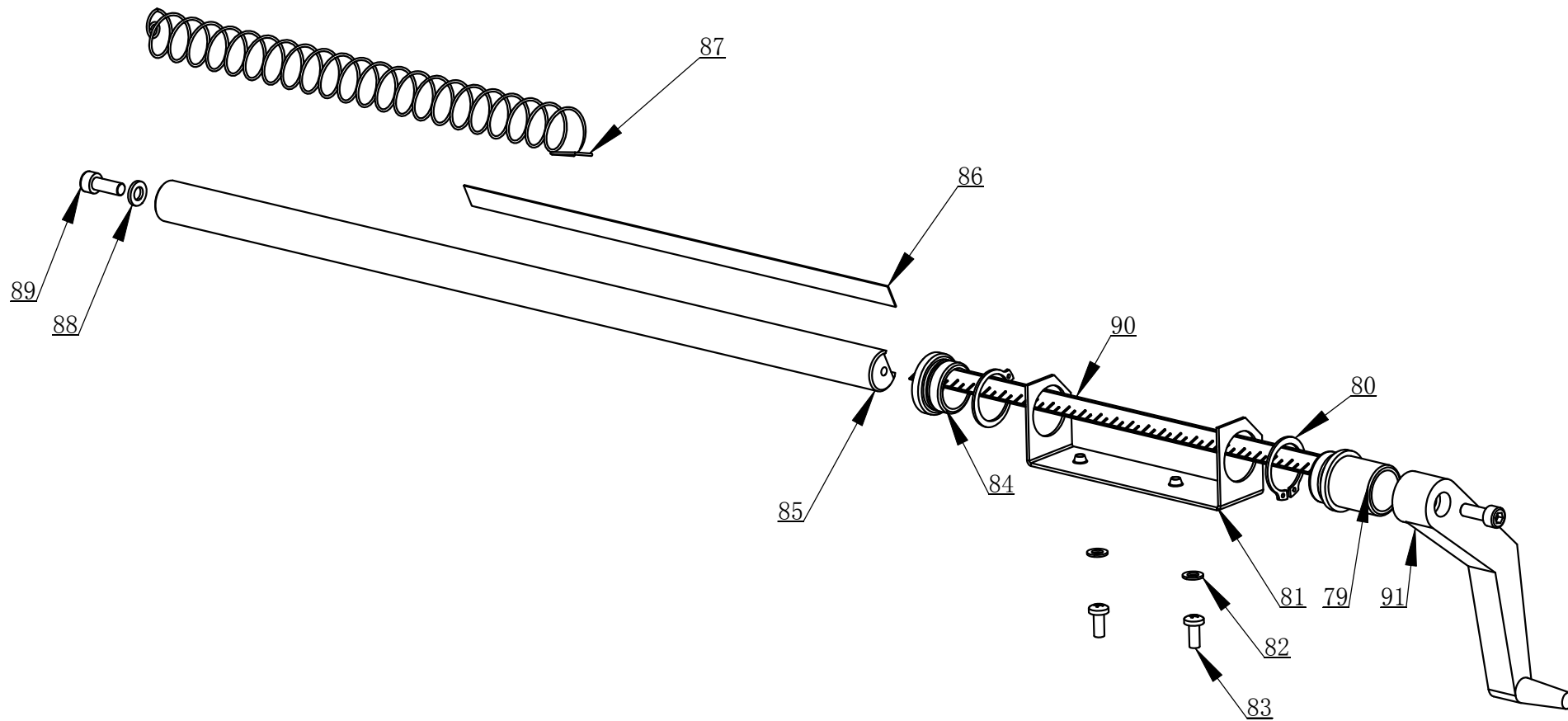
Á

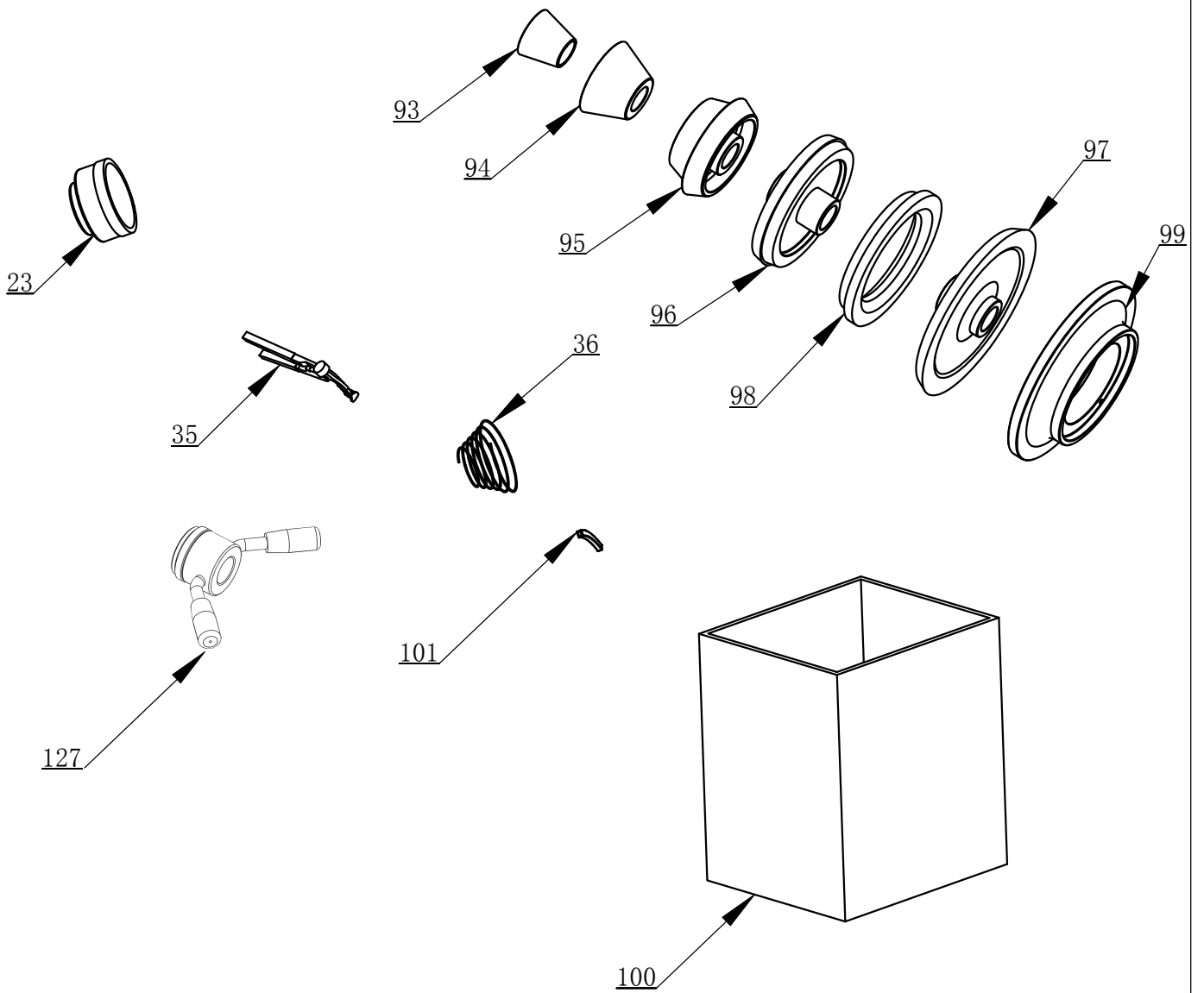
~~ÁÁÁÁÁÁÁÁÁÁ~~ ì €EY ì €Ó

Date: August 31.2009









W70ASSEMBLY LIST			
ITEM	PART	Description.	QTY
1	6008622	SIDE SEALING	1
2	6008701	WEIGHT TRAY	1
3	6008700	TOOL BRACKET	1
4	5508091	TWIST SWITCH	1
5	5004221	WASHER 10	22
6	5010006	WASHER 10	22
7	5010064	SCREW M10X25	4
8	5508006	HANDLE	3
9	6002111	POWER CABLE SOCKET	1
10	5502046	STOP-UP	1
11	6002112	POWER CABLE FEMALE	1
12	6002113	POWER CABLE MALE	1
13	5010004	NUT M10	4
14	5006008	SCREWS M10X20-N	6
15	5508001	MOTOR	1
16	5008100	PIECE KEYS	1
17	5508029	RESISTANCE CLAMP	1
18	5500128	TRANSFORMER	1
19	5508003	PLASTIC CLIPPER	8
20	5508004	UNIVERSAL	1
21	5508060	SWITCH	1
22	5508011	TENSILE DEVICE	1
23	6000734	BOWL	1
24	6000397	MOTOR PULLEY	1
25	6008622	RETAINING PLATE	1
26	6008626	ROLLING ROPE	1
27	6008628	PULLING PLATE	1
28	6008629	CIRCULAR BLOCK	1
29	5008032	SCREW M3X25	6
30	5010214	WASHER 3	4
31	5000079	WASHER 3	4
32	5008026	NUT M3	4
33	5008010	SCREW-ST5. 5X19	10
34	6008615	DISPLAY FILM	1
35	5508068	BALANCE HAMMAR	1
36	6000732	SPRING	1
37	5008082	HEX FLANGE SELF DRILLING TAPPING SCREW	2
38	5004065	HOLDING SCREW HEX	1
39	5004043	BOLT M10X25-N	1
40	5004039	NUT M20X1.5-N	1
41	6008627	ROPE GUIDING	1
42	5010200	RINGS	1
43	5000096	SCREW	8
44	5008041	BOLT M10X20	4
45	6000367	WHEEL BALANCER MAIN SHAFT	1
46	6000370	AXES	1
47	5010234	BEARINGS GB276-	1
48	5008028	BALL BEARING	1

49	5001118	RINGS CSB 35	2
50	5002023	RINGS CSB 33	1
51	5010084	SET SCREWS	2
52	5010218	SCREW M4X16-N	4
53	6000369	THREAD SHAFT	1
54	6008525	PHOTOELECTRIC	1
55	6000371	FLANGE	1
56	6008531	PHOTOELECTRIC	1
57	6008524	PHOTOELECTRIC	1
58	5010040	WASHER 4	6
59	5000068	WASHER 4	6
60	5000010	SCREW M4X10	6
61	5509012	PHOTO	1
62	5000078	SCREW M3×8	2
63	5010214	WASHER 3	2
64	5000079	WASHER 3	2
65	5008026	NUT M3	2
66	5009013	SCREW THREAD	1
67	6008822	ADJUSTER SCREW	1
68	5010020	WASHER 12	5
69	5010025	WASHER 12	3
70	5009014	NUT 12	5
71	6008821	PRESS WASHER	2
72	5004221	WASHER 10	2
73	5010064	SCREW M10X25	2
74	5508040	SENSOR	2
75	5508200	POWER BOARD	1
76	6008855	COMPUTER MAINBOARD	1
77	5508203	POLT	1
78	5009110	SCALE ASSEMBLY	1
79	5508038	HARNESS	1
80	6008801	RINGS	2
81	6008523	SCALE SEAT	1
82	5010045	WASHER 5	2
83	5006007	SCREW M5X12	2
84	5508037	HARNESS	1
85	6008825	SCALE ROD	1
86	5509013	SCALE	1
87	5508035	SPRING	1
88	5000007	WASHER 6	1
89	5009015	SCREW M6X16	2
90	5509100	RULER	1
91	5508036	SCALE HANDLE	1
92	5000193	HEXAGONAL SOCKET HEAD SCREW	12
93	6000372	CONE E	1
94	6000373	CONE D	1
95	6000374	CONE C	1
96	6000376	CONE B	1
97	6000375	CONE A	1
98	6000378	FLANGE	1
99	6000377	BIG FLANGE	1
100	5009118	ACCESSORY	1

101	5508024	WEIGHT (100g)	1
102	5508202	PC BOARD	1
103	6008706	PROTECTIVE HOOD	1
104	5508032	CALIPER ASSEMBLY	1
105	5508205	SPRING	1
106	5509056	MAIN BOARD	1
107	5509058	DISPLAY PANEL	1
108	5508107	POWER SWITCH	1
109	5000191	BOLT	1
110	5000030	BOLT M8X30	5
111	5000190	WASHER	5
112	5000192	WASHER STANDARD SPRING	5
113	5508204	BRAKE PLATE	1
114	5508204	BRAKE THEAD	1
115	6009998	PROTECTIVE COVER	1
116	5508058	PROTECTIVE HOOD	1
117	6008586	PROTECTIVE PLATE	1
118	5508048	CRESCENT	1
119	5010212	STPOKE SWITCH	1
120	5000031	SCREW M4X30-N	2
121	5004031	SCREW M6X35	1
122	5000010	SCREW M4X10	2
123	5008001	NON-STANDARD PLAIN WASHER	1
124	5006008	SCREWS M10X20-N	1
125	6002115	BALANCING SHAFT ASSEMBLY	1
126	6002116	ACCESSORY	1
127	6009071	QUICK NUT	1